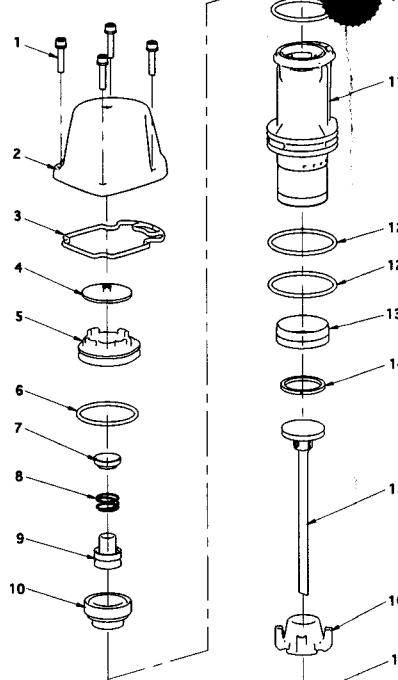


18-25 IN-lbs.
OF TORQUE
(21-29 CM-KG)
4 PLACES

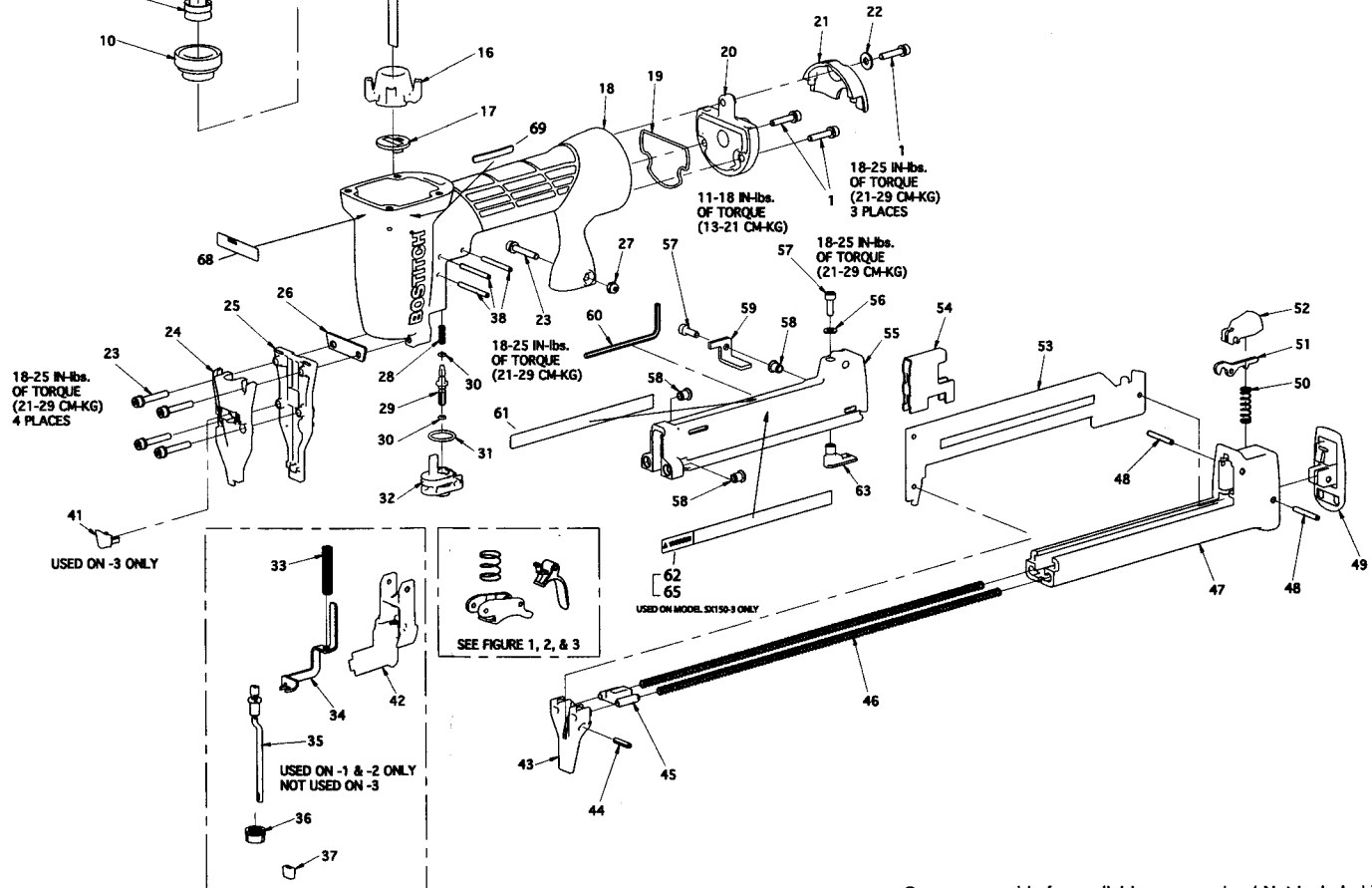


SX150

INDUSTRIAL OIL-FREE STAPLER

GRAPADORA INDUSTRIAL SIN ACEITE

AGRAFEUSE INDUSTRIELLE SANS HUILE



BOSTITCH

SX150		Parts List:		IP1144-2REVE	
To be Used with tool parts illustration:				IP1144-1REVC	
and operation and maintenance manual:				121037	
Serial Number on the Tool:				SX150 3212 000 and Higher	
ITEM	PART #	DESCRIPTION	ITEM	PART #	DESCRIPTION
1	121051	SCREW,SHCS,M4X0.70X20	54	119481	PUSHER
2	120996	CAP,FRAME	55	119480	MAGAZINE,FIXED
3	113337	SEAL,FRAME/CAP	56	MPW4	WASHER,PWN,M4
4	160186	SEAL, TOP	57	MSC4070-8	SCREW,SHCS,M4X0.70X8
5	160187	HOLD DOWN,HEADVALVE	58	S32011	INSERT,M4
6	101058	O-RING,1.487X.103	59	116941	STOP,CORE
7	120989	SEAL,INSERT	60	121036	KEY,HEXAGON 3MM
8	120991	SPRING,HEADVALVE	61	121288	LABEL,FASTENER SPEC.'S (SX150)
9	120032	INSERT,HEADVALVE	62	158612	LABEL,WARNING
10	120027	DIAPHRAM,HEAD VALVE	63	121284	STOP,LATCH
11	120028	SLEEVE,BT200	64	121008	STOP,TRIGGER
12	RG161210	O-RING,1.612X.103 NBR	65	158613	LABEL,WARNING NO C.T.
13	120061	SEAL,CHECK	66	100387	SPRING,COMPRESSION
14	S32109	RING,PISTON	67	159884	ASSEMBLY,SECOND TRIGGER
15	121280	ASSEMBLY,PISTON/DRIVER	68	121289	LABEL,SX150
16	124463	BUMPER,DRIVE	69	142961	LABEL,MAGNESIUM
17	121025	GUIDE,DRIVER			
18	121004	FRAME,OVERMOLD			
19	121035	SEAL,FRAME END CAP			
20	121031	CAP,END BOTTOM			
21	121032	DEFLECTOR,CAP END			
22	PW8	WASHER,PWR. 188			
23	121052	SCREW,SHCS,M4X0.70X25			
24	120058	COVER,TRIP			
25	121283	NOSE			
26	121279	PLATE,DRIVER			
27	MHE4070-100	ELASTIC STOP NUT,M4			
28	N86115	COMPRESSION SPRING			
29	121029	STEM,VALVE			
30	MRG002514	O-RING,.098X.055			
31	850144	O-RING,.614X.070			
32	121005	HOUSING,VALVE			
33	121024	SPRING,TRIP			
34	120022	TRIP,UPPER			
35	120140	ASSEMBLY,LOWER ARM			
36	120024	THUMBWHEEL			
37	120056	CONTACT FOOT,NO MAR			
38	100298	PIN,SPIRAL M3X30			
39	CNTK1	KIT,CONTACT TRIP CONVERSION			
40	SEQ4	KIT,SEQUENTIAL TRIP CONVERSION			
41	121013	PLUG,COVER			
42	120020	GUIDE,ARM			
43	160189	TIP,CORE			
44	160190	PIN,COILED,HD,M4X20			
45	116953	SHUTTLE,PUSHER			
46	S32065	SPRING,PUSHER			
47	119490	MAGAZINE			
48	159968	PIN,COILED,HD,M3X25			
49	119516	BUMPER,REAR			
50	113579	SPRING,LATCH			
51	116933	LATCH			
52	113568	LATCH,COVER			
53	160188	CORE			